



# RCYA6

6" LED ARCHITECTURAL CYLINDER

## JOB INFORMATION

Type: \_\_\_\_\_  
 Catalog No: \_\_\_\_\_  
 Project Name: \_\_\_\_\_  
 Comments: \_\_\_\_\_  
 Prepared by: \_\_\_\_\_

RCYA6

### USE OF PRODUCT

The RCYA Series may be used in hospitality, commercial, retail, and residential interior applications. This series is available in two sizes (RCYA6 & RCYA3) and is wattage selectable, color temperature selectable, and beam angle selectable. Optional filters available upon request. Multiple mounting options: Surface mount, adjustable surface mount, cord mount, pendant mount.

### RCYA3 FEATURES

- Wattage selectable: 20W, 30W, 40W
- Color temperature selectable: 2700K, 3000K, 3500K, 4000K, 5000K
- Beam angle selectable: 18° to 50°
- Knife edge appearance
- Made to order finish available upon request

### HOUSING

Rugged aluminum housing to effectively and passively remove heat from LED.

### LED ENGINE

Color temperature selectable 90 CRI

### DRIVER

- 0-10V (120V-277V) dimming driver with range of 1% - 100%.
- Driver power factor >0.9, THD <20%
- Operating Temperature Range: -20°C - 40°C (-4°F-104°F)

### EMERGENCY BATTERY

May utilize an 8W remote emergency battery (ceiling access required) with a remote test switch. Alternatively, may utilize a 4W integral emergency battery with an integral test switch.

### BEAM ANGLE & FILTERS

Beam angle is continuously adjustable from 18° to 50° degrees with preset stops at 18°, 24°, 36°, and 50°. Optional linear lens, honeycomb louver, and soft optics available upon request. (Lumens decrease)

### MOUNTING

Surface mount, adjustable surface mount (for wall or ceiling), cord mount, and pendant mount.

### LABELS/COMPLIANCE/WARRANTY

- UL certified
- 5-year limited warranty.



## ORDERING INFORMATION

Series	Wattage	Voltage	Color Temperature	Beam Angle	Filter
RCYA6	<b>WS40</b> - Wattage Selectable (20W, 30W, 40W) <b>L20W</b> - Locked at 20W <b>L30W</b> - Locked at 30W <b>L40W</b> - Locked at 40W	<b>UNV</b> - 120-277V	<b>5CTS</b> - (2700K, 3000K, 3500K, 4000K, 5000K) <b>L27K</b> - Locked at 2700K <b>L30K</b> - Locked at 3000K <b>L35K</b> - Locked at 3500K <b>L40K</b> - Locked at 4000K <b>L50K</b> - Locked at 5000K	<b>BA1850</b> - 18° - 50° Adjustable	<b>None</b> - Included <b>L</b> - Linear <b>H</b> - Honey Comb <b>S</b> - Softening Lens

Reflector Finish	Cylinder Finish	Mounting	Options
<b>W</b> - White <b>B</b> - Black <b>MTO</b> - Made to Order	<b>W</b> - White <b>B</b> - Black <b>MTO</b> - Made to Order	<p><b>Stem</b></p> <p><b>PH6SC1W<sup>1</sup></b> - 1 ft White Stem Pendant with Shallow Canopy  <b>PH6SC1B<sup>1</sup></b> - 1 ft Black Stem Pendant with Shallow Canopy  <b>PH6SC2W<sup>1</sup></b> - 2 ft White Stem Pendant with Shallow Canopy  <b>PH6SC2B<sup>1</sup></b> - 2 ft Black Stem Pendant with Shallow Canopy  <b>PH6DC1W<sup>1</sup></b> - 1 ft White Stem Pendant with Deep Canopy  <b>PH6DC1B<sup>1</sup></b> - 1 ft Black Stem Pendant with Deep Canopy  <b>PH6DC2W<sup>1</sup></b> - 2 ft White Stem Pendant with Deep Canopy  <b>PH6DC2B<sup>1</sup></b> - 2 ft Black Stem Pendant with Deep Canopy</p> <p><b>Cord</b></p> <p><b>CP6SW</b> - White Cord Pendant with Shallow Canopy  <b>CP6SB</b> - Black Cord Pendant with Shallow Canopy  <b>CP6DW</b> - White Cord Pendant with Deep Canopy  <b>CP6DB</b> - Black Cord Pendant with Deep Canopy</p> <p><b>Surface</b></p> <p><b>SM6SW</b> - White Surface Mount with Shallow Canopy  <b>SM6SB</b> - Black Surface Mount with Shallow Canopy  <b>SM6DW</b> - White Surface Mount with Deep Canopy  <b>SM6DB</b> - Black Surface Mount with Deep Canopy</p>	<p><b>SP1W<sup>1</sup></b> - 1 ft White Stem Pendant  <b>SP1B<sup>1</sup></b> - 1 ft Black Stem Pendant  <b>SP2W<sup>1</sup></b> - 2 ft White Stem Pendant  <b>SP2B<sup>1</sup></b> - 2 ft Black Stem Pendant  <b>ER8W</b> - 8W Remote Emergency Battery with Remote Test Switch  <b>EI4W</b> - 4W Integral Emergency Battery with Integral Test Switch</p> <p><b>Notes</b></p> <p>1. 1ft and 2ft stems are linkable up to 12 ft. Consult factory for made to order lengths.</p>



# RCYA6

6" LED CYLINDER

## PERFORMANCE CHART

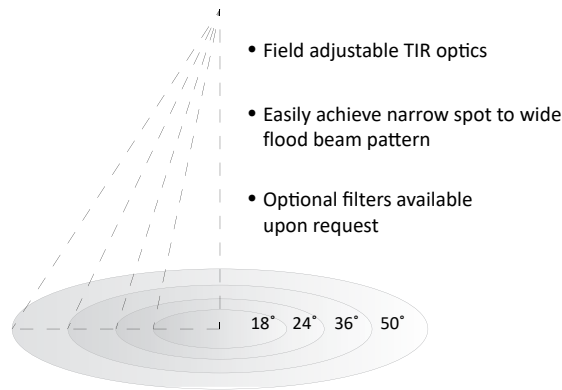
	Optics	18°	24°	36°	50°
<b>20W</b>	<b>Delivered Lumens</b>	1614	1874	1877	2161
<b>30W</b>	<b>Delivered Lumens</b>	2268	2661	2665	3094
<b>40W</b>	<b>Delivered Lumens</b>	2660	3228	3234	3815

\* Values are listed at 3000K, 90+ CRI with a white bevel & trim.

## COLOR TEMPERATURE MULTIPLIER FOR DELIVERED LUMENS

2700K	3000K	3500K	4000K
0.95	1.00	1.04	1.07

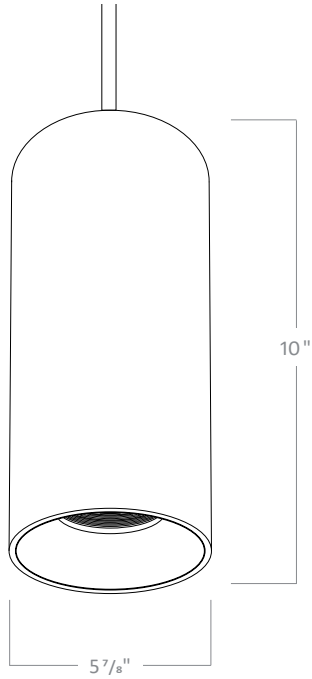
## BEAM SPREAD



# RCYA6

6" LED CYLINDER

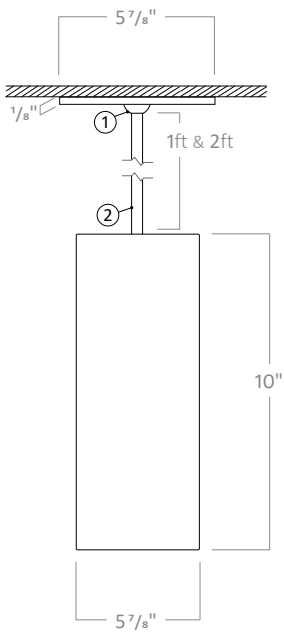
## RCYA6 DIMENSIONS



## STEM PENDANT

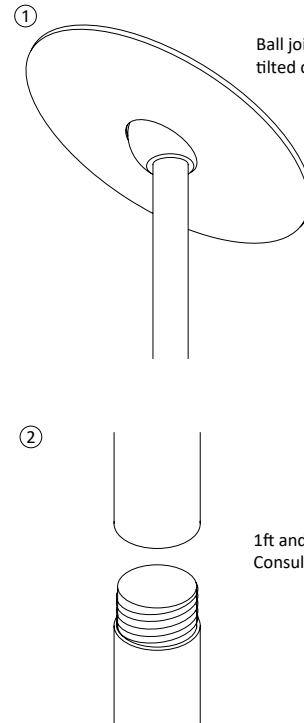
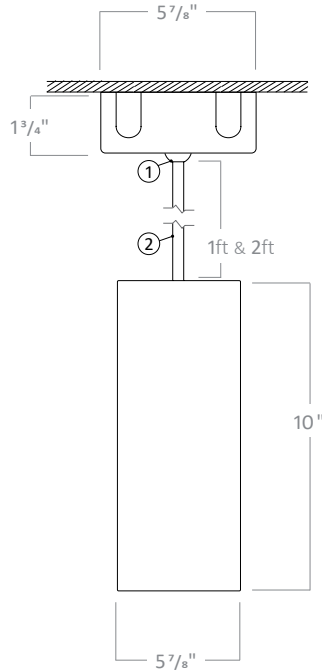
PH6SC1W, PH6SC1B,  
PH6SC2W, PH6SC2B

Stem Pendant with  
Shallow Canopy



PH6DC1W, PH6DC1B,  
PH6DC2W, PH6DC2B

Stem Pendant with  
Deep Canopy



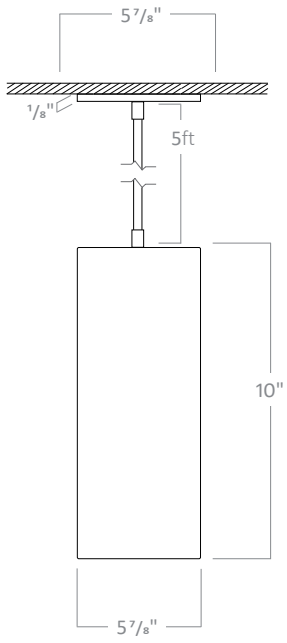
# RCYA6

6" LED CYLINDER

## CORD PENDANT

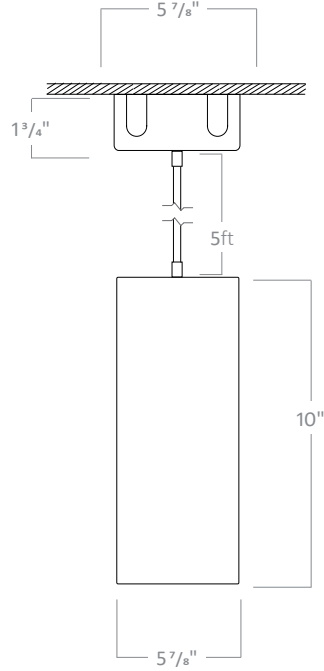
**CP6SW, CP6SB**

Cord Pendant with  
Shallow Canopy



**CP6DW, CP6DB**

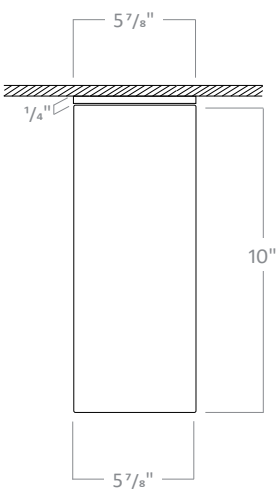
Cord Pendant with  
Deep Canopy



## SURFACE MOUNT

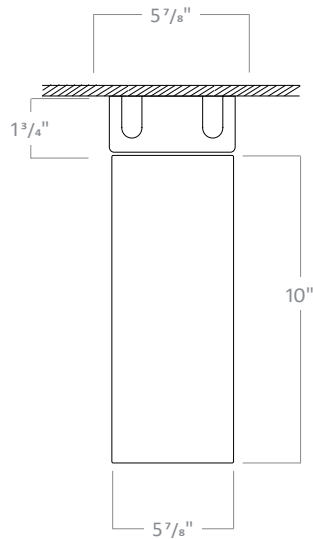
**SM6SW, SM6SB**

Surface Mount with  
Shallow Canopy



**SM6DW, SM6DB**

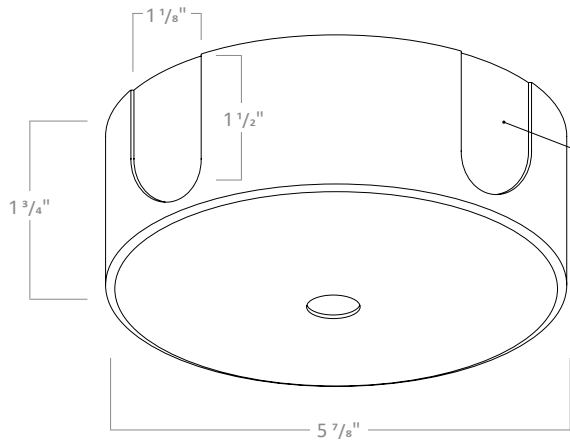
Surface Mount with  
Deep Canopy



# RCYA6

6" LED CYLINDER

## DEEP CANOPY FOR SURFACE, CORD, OR PENDANT MOUNT



Deep Canopy options come standard with 4 Knockouts installed. Accommodates a 4" octagonal junction box with 1-1/2" depth (provided by others).

Knockouts may be run from 4 sides

Single Conduit Mount

Double 180° Conduit Mount

Double 90° Conduit Mount

Triple 90° Conduit Mount

Quad 90° Conduit Mount

